

H8S/2678 Series, H8S/2678R Series,
H8S/2668 Series FP-144G/FP-144H
User System Interface Cable
(HS2678RECH61H)
for E6000 Emulator

User's Manual



HS2678RECH61HE(C)

Cautions

1. Renesas neither warrants nor grants licenses of any rights of Renesas's or any third party's patent, copyright, trademark, or other intellectual property rights for information contained in this document. Renesas bears no responsibility for problems that may arise with third party's rights, including intellectual property rights, in connection with use of the information contained in this document.
2. Products and product specifications may be subject to change without notice. Confirm that you have received the latest product standards or specifications before final design, purchase or use.
3. Renesas makes every attempt to ensure that its products are of high quality and reliability. However, contact Renesas's sales office before using the product in an application that demands especially high quality and reliability or where its failure or malfunction may directly threaten human life or cause risk of bodily injury, such as aerospace, aeronautics, nuclear power, combustion control, transportation, traffic, safety equipment or medical equipment for life support.
4. Design your application so that the product is used within the ranges guaranteed by Renesas particularly for maximum rating, operating supply voltage range, heat radiation characteristics, installation conditions and other characteristics. Renesas bears no responsibility for failure or damage when used beyond the guaranteed ranges. Even within the guaranteed ranges, consider normally foreseeable failure rates or failure modes in semiconductor devices and employ systemic measures such as fail-safes, so that the equipment incorporating Renesas product does not cause bodily injury, fire or other consequential damage due to operation of the Renesas product.
5. This product is not designed to be radiation resistant.
6. No one is permitted to reproduce or duplicate, in any form, the whole or part of this document without written approval from Renesas.
7. Contact Renesas's sales office for any questions regarding this document or Renesas semiconductor products.

Preface

Thank you for purchasing this user system interface cable (HS2678RECH61H) for the Renesas's original microcomputer H8S/2678 series, H8S/2678R series, H8S/2668 series.

The HS2678RECH61H is a user system interface cable that connects an H8S/2678 series, H8S/2678R series, H8S/2668 series E6000 emulator (HS2678REPI61H; hereinafter referred to as the emulator) to the IC socket for a FP-144G/FP-144H package for the H8S/2678 series, H8S/2678R series, H8S/2668 series MCU on the user system.

Contents

Section 1 Configuration	1
Section 2 Connection Procedures	3
2.1 Connecting User System Interface Cable to Emulator Station	3
2.2 Connecting User System Interface Cable to User System	5
2.2.1 Installing IC Socket	5
2.2.2 Soldering IC Socket	5
2.2.3 Inserting Cable Head	6
2.2.4 Fastening Cable Head	6
2.2.5 Fastening Cable Body	8
2.3 Recommended Dimensions for User System Mount Pad	9
2.4 Dimensions for User System Interface Cable Head	10
2.5 Resulting Dimensions after Connecting User System Interface Cable	11
Section 3 Installing the MCU to the User System	12
Section 4 Verifying Operation	14
Section 5 Notice	15

Section 1 Configuration

CAUTION

Use an IC149-144-045-B51 socket (manufactured by YAMAICHI ELECTRONICS CO., Ltd.) for the FP-144G/FP-144H package IC socket on the user system.

Figure 1 shows the configuration of the HS2678RECH61H user system interface cable for the FP-144G/FP-144H package.

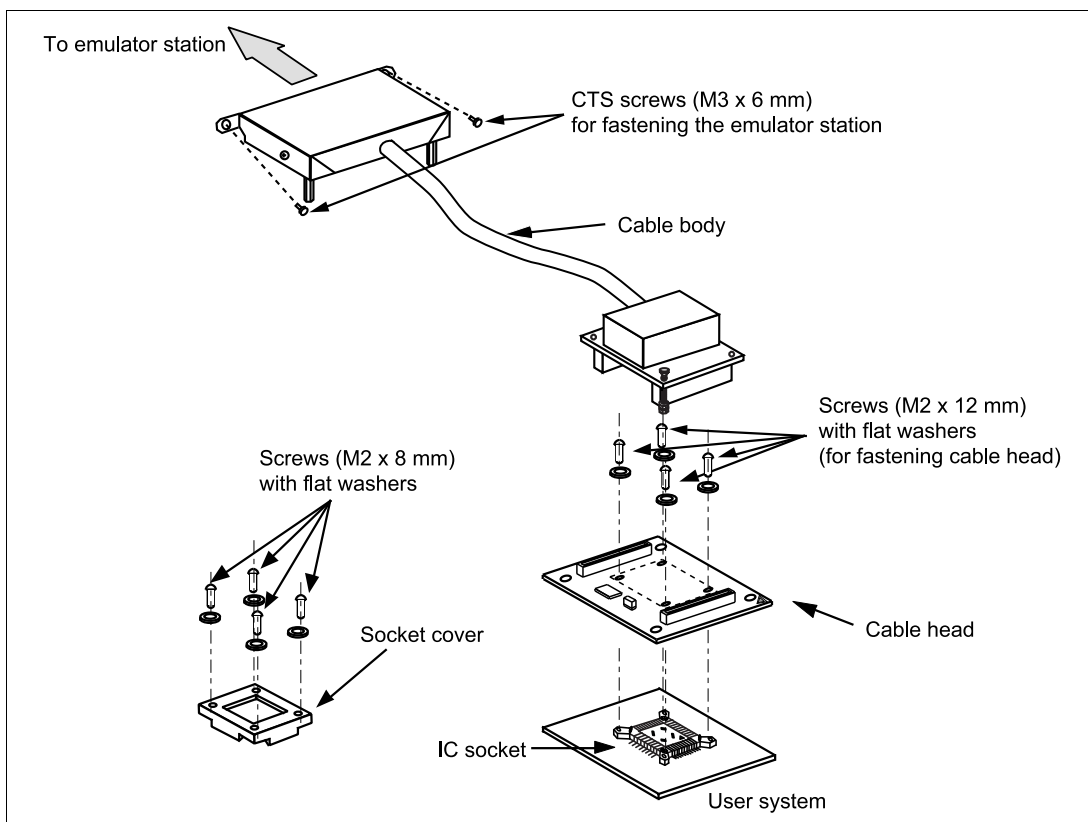


Figure 1 HS2678RECH61H User System Interface Cable

Table 1 lists the HS2678RECH61H components. Please make sure you have all of these components when unpacking.

Table 1 HS2678RECH61H Components

No.	Component	Quantity	Remarks
1	Cable body	1	
2	Cable head	1	
3	IC socket	1	For the FP-144G/FP-144H package
4	Socket cover	1	For installing an FP-144G/FP-144H packaged MCU
5	Screws (M2 x 12 mm)	4	For fastening cable head with four flat washers
6	Screws (M2 x 8 mm)	4	For installing an FP-144G/FP-144H packaged MCU with four flat washers
7	CTS screws (M3 x 6 mm)	2	For fastening the emulator station
8	Documentation	1	User's manual for HS2678RECH61H (this manual)

Section 2 Connection Procedures

2.1 Connecting User System Interface Cable to Emulator Station

WARNING

Observe the precautions listed below. Failure to do so will result in a FIRE HAZARD and will damage the user system and the emulator product or will result in PERSONAL INJURY. The USER PROGRAM will be LOST.

- 1. Always switch OFF the user system and the emulator product before the USER SYSTEM INTERFACE CABLE is connected to or removed from any part. Before connecting, make sure that pin 1 on both sides are correctly aligned.**
- 2. The user system interface cable dedicated to the emulator must be used.**

To connect the cable body to the emulator station, follow the instructions below.

1. Make sure the user system and emulator station are turned off.

CAUTION

When connecting or removing the user system interface cable, apply force only in the direction suitable for connection or removal, while making sure not to bend or twist the cable or connectors. Otherwise, the connectors will be damaged.

2. After making sure the direction of the cable body connector is correct, firmly insert the cable body connector into the emulator station socket, and fasten the emulator station with two CTS screw (M3 x 6 mm). (figure 2)

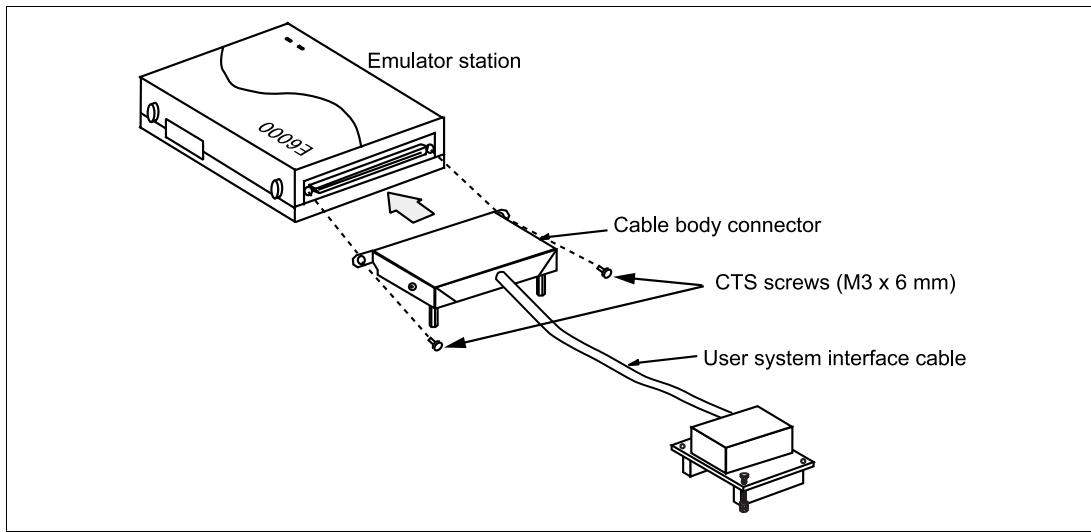


Figure 2 Connecting User System Interface Cable to Emulator Station

2.2 Connecting User System Interface Cable to User System

WARNING

Always switch OFF the user system and the emulator product before the USER SYSTEM INTERFACE CABLE is connected to or removed from any part. Before connecting, make sure that pin 1 on both sides are correctly aligned. Failure to do so will result in a FIRE HAZARD and will damage the user system and the emulator product or will result in PERSONAL INJURY. The USER PROGRAM will be LOST.

To connect the cable head to the user system, follow the instructions below.

2.2.1 Installing IC Socket

After checking the location of pin 1 on the IC socket, apply epoxy resin adhesive to the bottom of the IC socket for an FP-144G/FP-144H package, and fasten it to the user system before soldering.

2.2.2 Soldering IC Socket

After fastening, solder the IC socket for an FP-144G/FP-144H package to the user system. Be sure to completely solder the leads so that the solder slopes gently over the leads and forms solder fillets. (Use slightly more solder than the MCU.)

2.2.3 Inserting Cable Head

CAUTION

Check the location of pin 1 before inserting.

Align pin 1 on the IC socket for a FP-144G/FP-144H system interface cable head into the IC socket on the user system, as shown in figure 3.

2.2.4 Fastening Cable Head

CAUTION

1. Use a Philips-type screwdriver whose head matches the screw head.
2. The tightening torque must be 0.294 N•m or less.
If the applied torque cannot be accurately measured, stop tightening when the force required to turn the screw becomes significantly greater than that needed when first tightening. If a screw is tightened too much, the screw head may break or an IC socket contact error may be caused by a crack in the IC socket solder.
3. If the emulator does not operate correctly, cracks might have occurred in the solder. Check conduction with a tester and re-solder the IC socket if necessary.

Fasten the user system interface cable head to the IC socket for an FP-144G/FP-144H package on the user system with the four screws (M2 x 12 mm; with four flat washers) provided. Each screw should be tightened a little at a time, alternating between screws on opposing corners. Take special care, such as manually securing the IC socket soldered area, to prevent the soldered IC socket from being damaged by overtightening the screws or twisting the components.

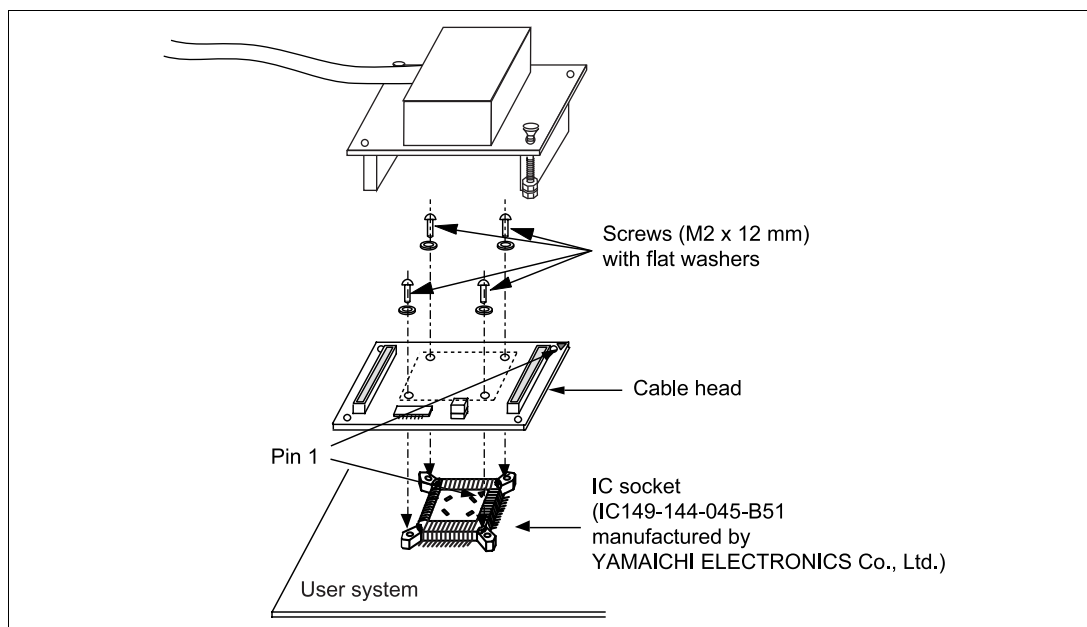


Figure 3 Connecting User System Interface Cable to User System

2.2.5 Fastening Cable Body

Connect the cable body to the cable head.

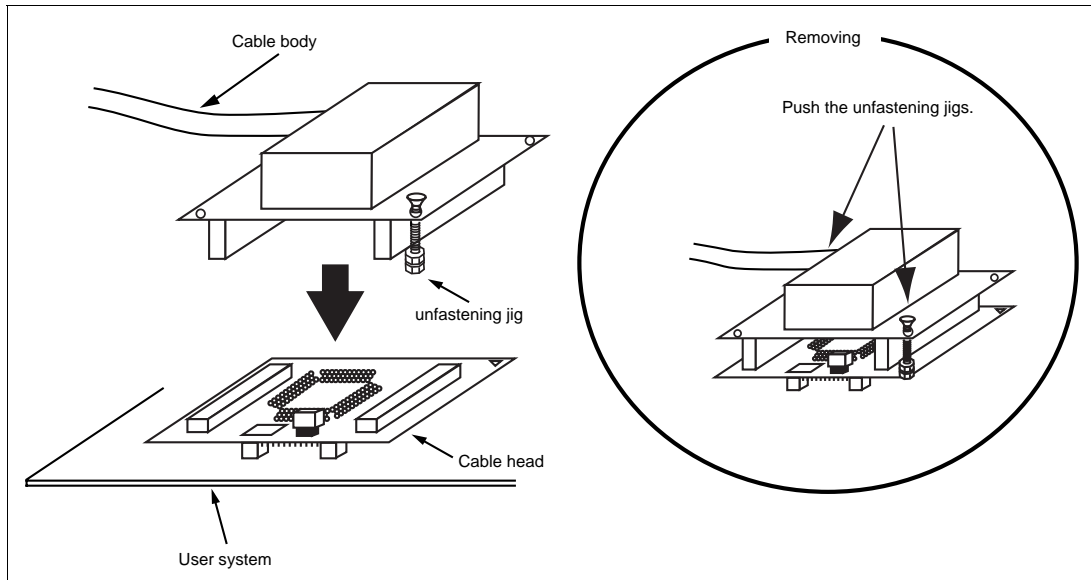


Figure 4 Fastening Cable Body

2.3 Recommended Dimensions for User System Mount Pad

Figure 5 shows the recommended dimensions for the mount pad (footprint) for the user system with an IC socket for an FP-144G/FP-144H package (IC149-144-045-B51: manufactured by YAMAICHI ELECTRONICS CO., Ltd.). Note that the dimensions in figure 5 are somewhat different from those of the actual chip's mount pad.

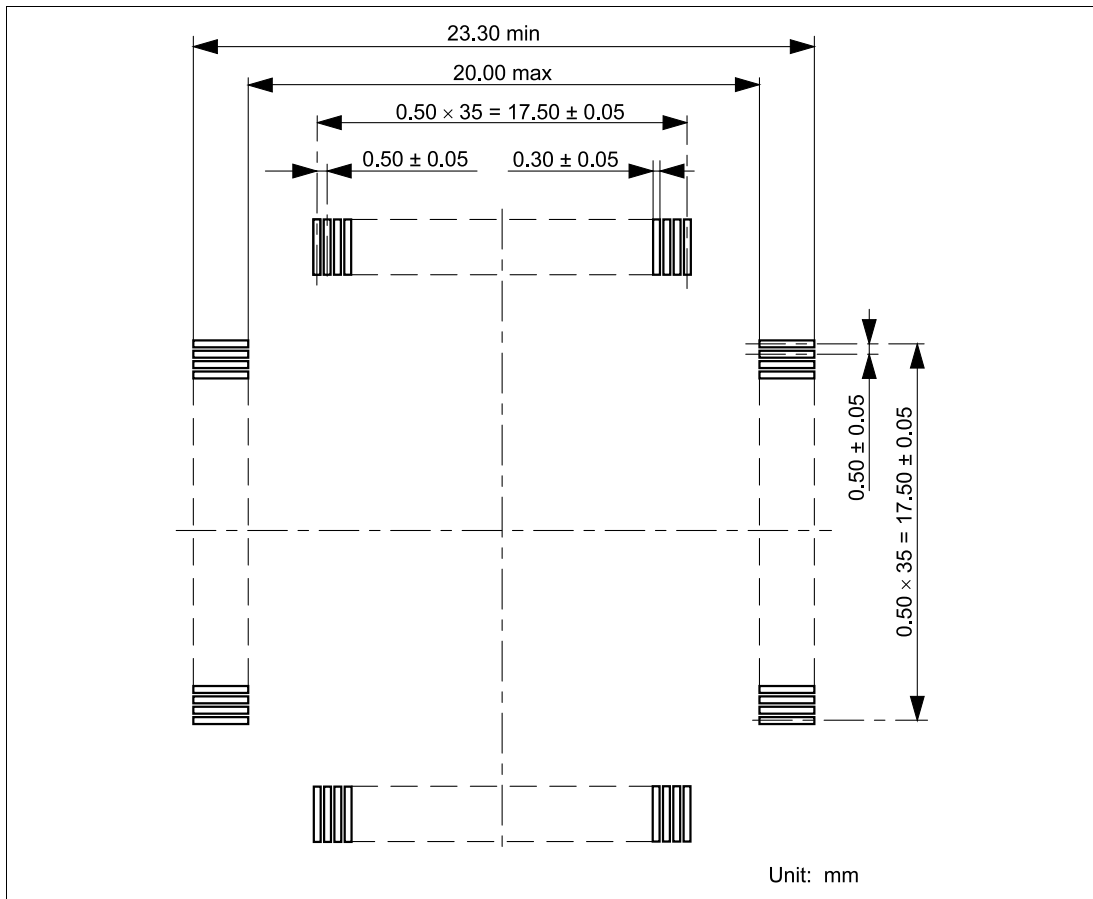


Figure 5 Recommended Dimensions for Mount Pad

2.4 Dimensions for User System Interface Cable Head

The dimensions for the user system interface cable head are shown in figure 6.

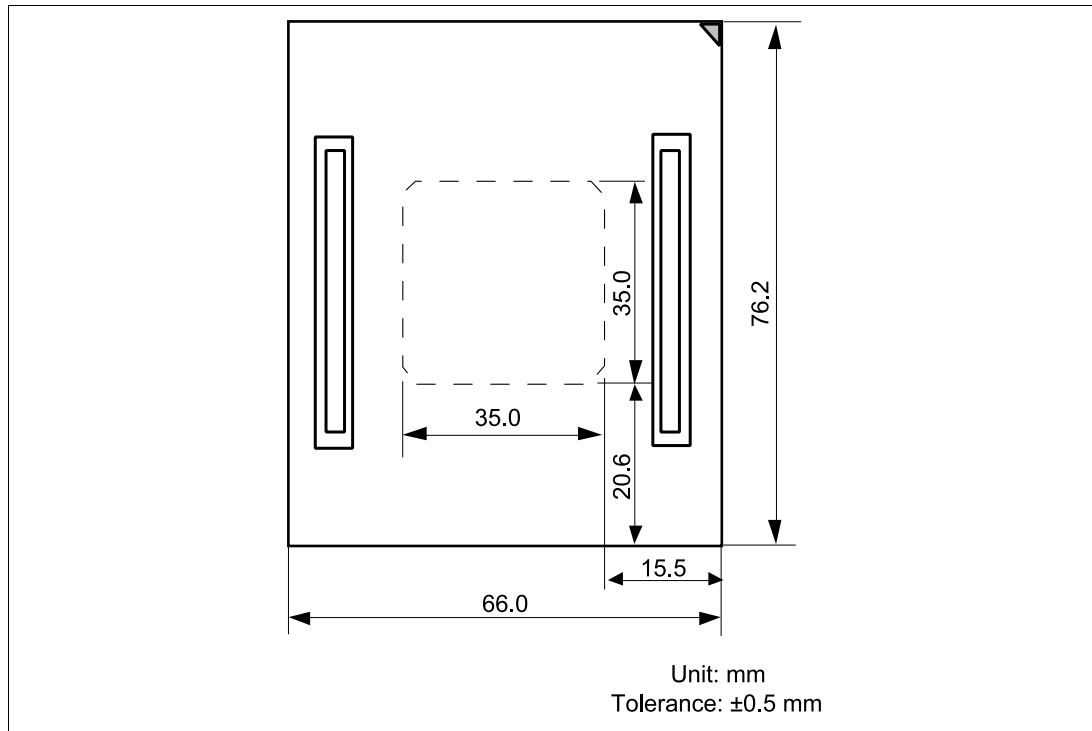


Figure 6 Dimensions for User System Interface Cable Head

2.5 Resulting Dimensions after Connecting User System Interface Cable

The resulting dimensions, after connecting the user system interface cable head to the user system, are shown in figure 7.

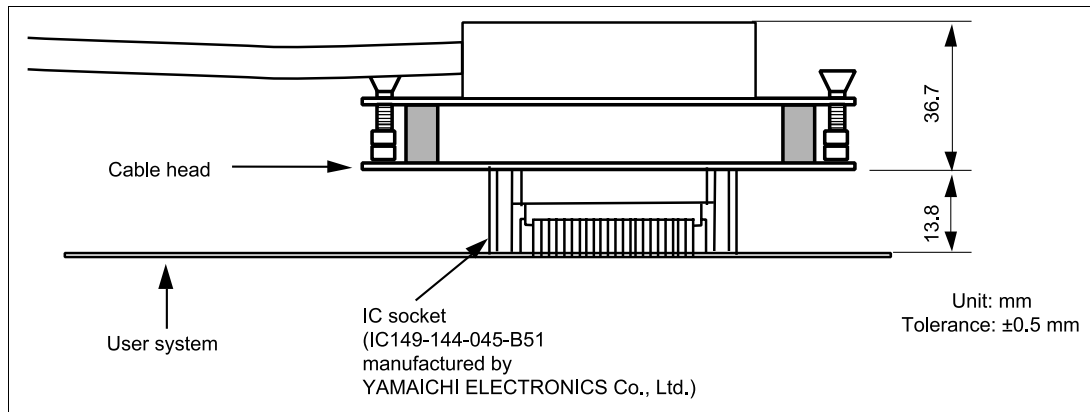


Figure 7 Resulting Dimensions after Connecting User System Interface Cable

Section 3 Installing the MCU to the User System

CAUTION

- 1. Check the location of pin 1 before inserting.**
- 2. Use a Philips-type screwdriver whose head matches the screw head.**
- 3. The tightening torque must be 0.294 N•m or less.
If the applied torque cannot be accurately measured, stop tightening when the force required to turn the screw becomes significantly greater than that needed when first tightening. If a screw is tightened too much, the screw head may break or an IC socket contact error may be caused by a crack in the IC socket solder.**
- 4. If the MCU does not operate correctly, cracks might have occurred in the solder. Check conduction with a tester and re-solder the IC socket if necessary.**

Check the location of pin 1 before inserting the MCU into the IC socket on the user system, as shown in figure 8. After inserting the MCU, fasten the socket cover with the provided four screws (M2 x 8 mm; with flat washers). Take special care, such as manually securing the IC socket soldered area, to prevent the IC socket from being damaged by overtightening the screws or twisting the components.

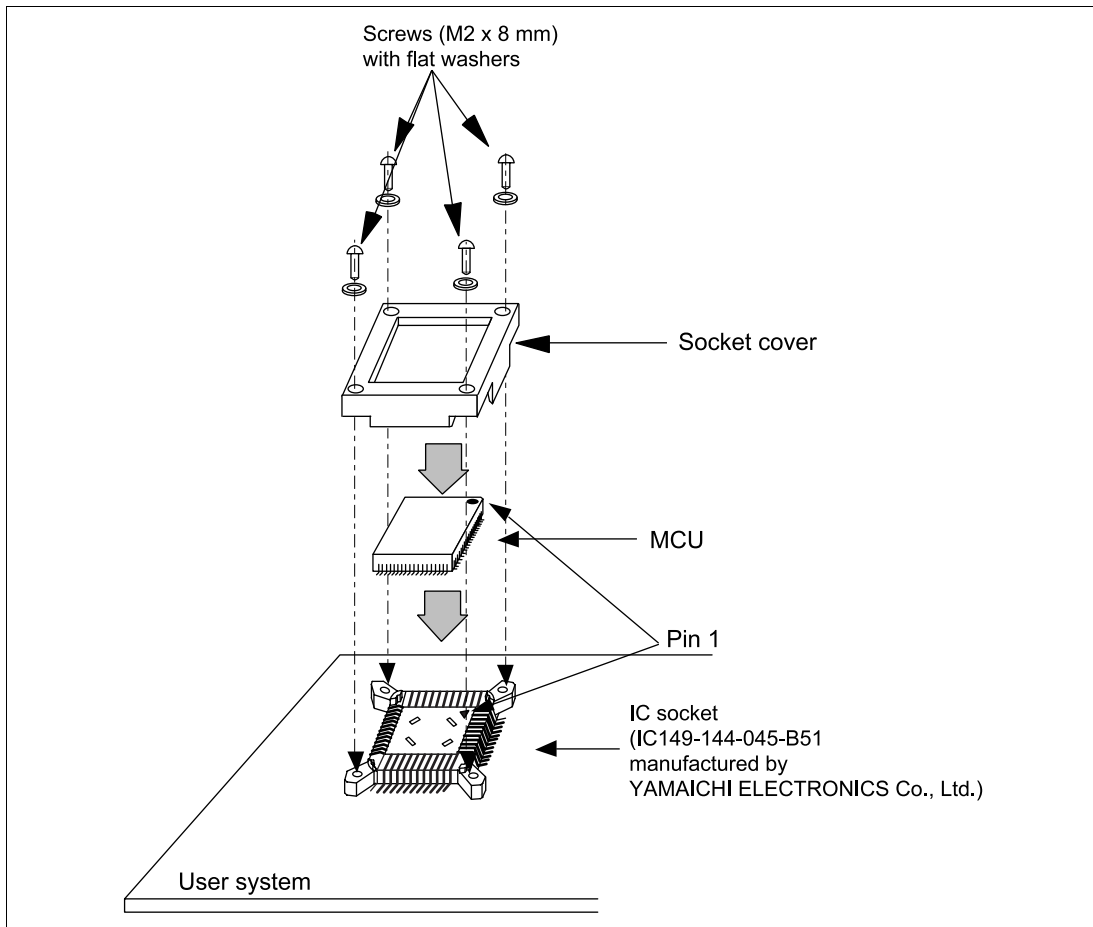


Figure 8 Installing MCU to User System

Section 5 Notice

1. Make sure that pin 1 on the user system IC socket is correctly aligned with pin 1 on the cable head before inserting the cable head into the user system IC socket.
2. The dimensions of the recommended mount pad for the user system IC socket are different from those of the MCU.
3. This user system interface cable is specifically designed for the HS2678REPI61H emulator. Do not use this cable with any other emulator station.
4. To prevent breaking of wires in the cable body, do not place heavy or sharp metal objects on the user system interface cable.
5. While the emulator station is connected to the user system with the user system interface cable, force must not be applied to the cable head. Place the emulator station, user system interface cable, and user system as shown in the example in figure 10.

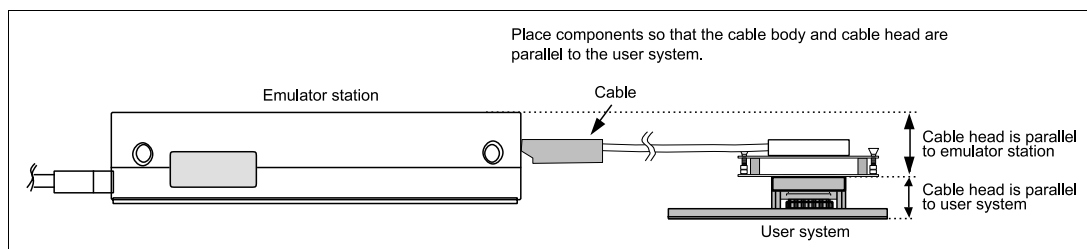


Figure 10 User System Interface Cable Location Example

6. The P1 jumper connector is used for testing. Do not remove the jumper pin inserted on pin 1 side.

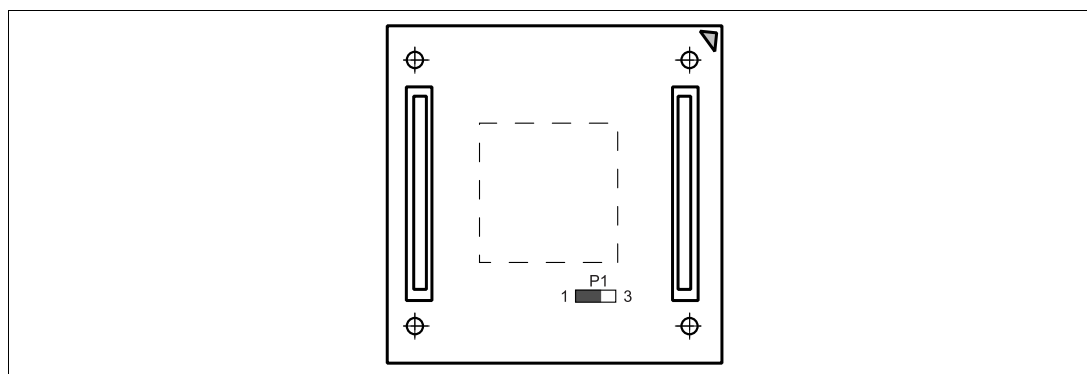


Figure 11 P1 Short Connector